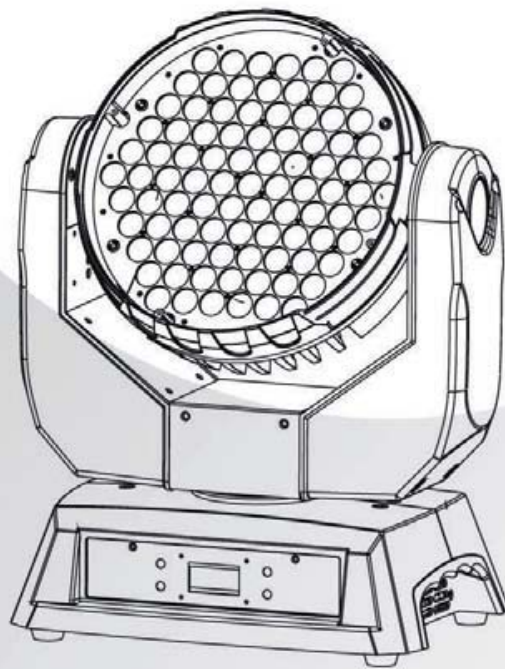


EXPOLITE

TourWash 91

USER MANUAL



T ABLE OF CONTENTS

PART 1 TECHNICAL SPECIFICATIONS.....	1.
1.1-- <i>PRODUCT SPECIFICATIONS</i>	1.
1.2-- <i>DIMENSIONS</i>	2.
1.3-- <i>PRODUCT FEATURES</i>	2.
1.4-- <i>SAFETY WARNING</i>	3.
PART 2 INSTALLATION.....	4.
2.1-- <i>MOUNTING</i>	4.
2.2-- <i>SETTING UP</i>	5.
2.3-- <i>FUSE REPLACEMENT</i>	5.
PART 3 DISPLAY PANEL OPERATION.....	6.
3.1-- <i>BASIC</i>	6.
3.2-- <i>MENU</i>	6.
3.3-- <i>INTRO</i>	10.
3.4-- <i>INVERT</i>	12.
3.5-- <i>RANGE</i>	12.
3.6-- <i>SPECIAL</i>	13.
3.7-- <i>EDIT</i>	14.
3.8-- <i>EXTRA</i>	15.
3.9-- <i>CALIB</i>	15.
3.10-- <i>ZOOM</i>	16.
3.11-- <i>DEFAULT</i>	16.
PART 4 USING DMX512 CONTROLLER.....	17.
4.11-- <i>CHANNEL ASSIGNMENT</i> ①.....	17.
4.12-- <i>CHANNEL ASSIGNMENT</i> ②.....	17.
PART 5 APPENDIX.....	26.
5.1-- <i>MAINTENANCE</i>	26.

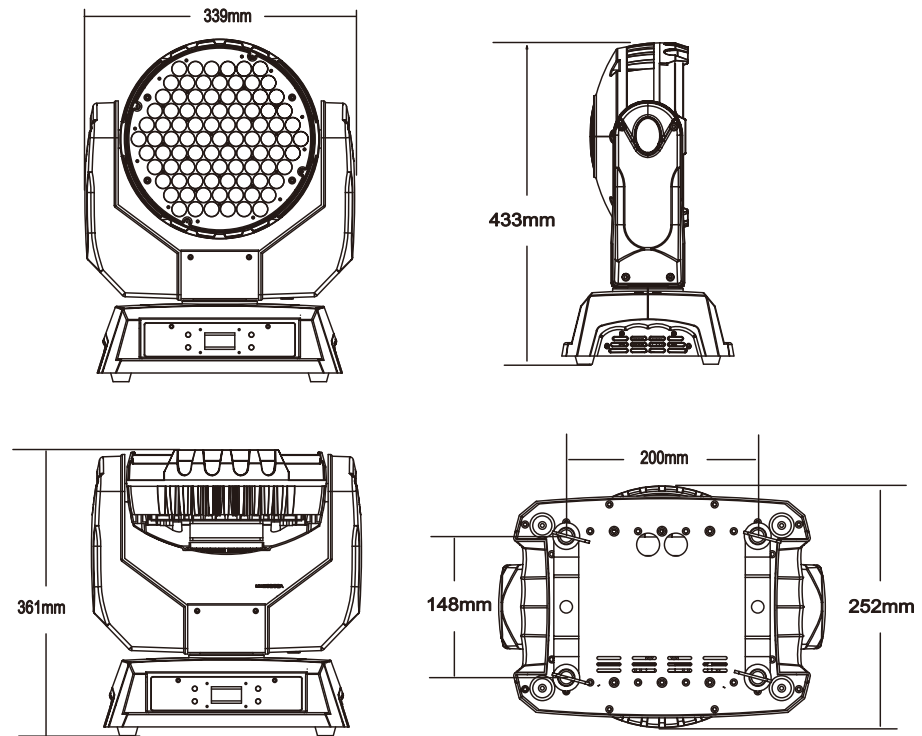
1 PRODUCT SPECIFICATIONS

1.1 TECHNICAL SPECIFICATIONS

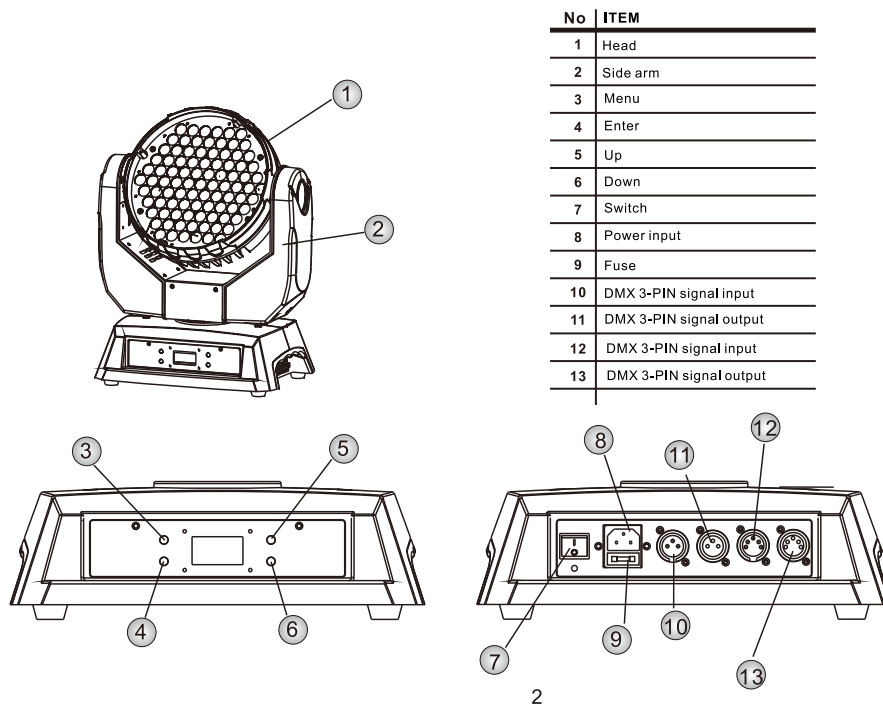
LED MODULE

Type	Model	Voltage	Operation Temperature	Weight	Dimensions 2 (mm)	Power (W)
I	R:3Wx22 G:3Wx23 B:3Wx22 W:3Wx12 A:3Wx12	AC100~240V 50/60Hz	-20~45	11	339x252x361	310
II	cW: 3Wx68 wW:3Wx23					

1.2 DIMENSIONS



1.3 PRODUCT FEATURES



1.4 SAFETY WARNING

IMPORTANT

[ALWAYS READ THE USER MANUAL BEFORE OPERATION.]
[PLEASE CONFIRM THAT THE POWER SUPPLY STATED ON THE
PRODUCT IS THE SAME AS THE MAINS POWER SUPPLY IN YOUR AREA.]

- This product must be installed by a qualified professional.
- Always operate the equipment as described in the user manual.
- A minimum distance of 0.5m must be maintained between the equipment and combustible surface.
- The product must always be placed in a well ventilated area.
- Always make sure that the equipment is installed securely.
- DO NOT stand close to the equipment and stare directly into the LED light source.
- Always disconnect the power supply before attempting and maintenance.
- Always make sure that the supporting structure is solid and can support the combined weight of the products.
- The earth wire must always be connected to the ground.
- Do not touch the power cables if your hands are wet.

ATTENTION



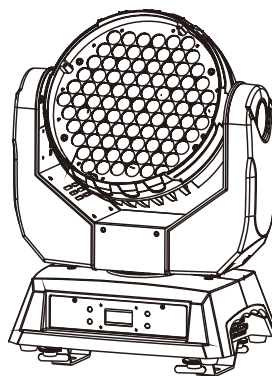
- This product left the place of manufacture in perfect condition. In order to maintain this condition and for safe operation, the user must always follow the instructions and safety warnings described in this user manual.
- Avoid shaking or strong impacts to any part of the equipment.
- Make sure that all parts of the equipment are kept clean and free of dust.
- Always make sure that the power connections are connected correct and secure.
- If there is any malfunction of the equipment, contact your distributor immediately.
- When transferring the product, it is advisable to use the original packaging in which the product left the factory.
- Shields, lenses or ultraviolet screens shall be changed if they have become damaged to such an extent that their effectiveness is impaired.
- The lamp (LED) shall be changed if it has become damaged or thermally deformed.

2 INSTALLATION

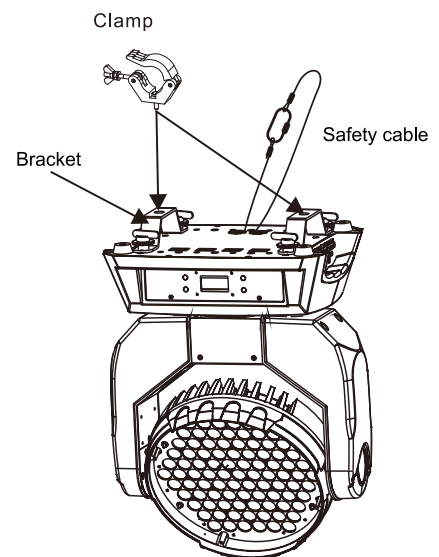
2.1 MOUNTING

The LED fixture can be operated in any position at any angle. When mounted on a flat surface, the surface must be strong enough to support 10 times the weight of the fixture and stable so that there will be no damage caused to the fixture or surrounding people or objects because of movements of the fixture on the surface.

When the unit is mounted in a hanging position, the fixture is attached using the mounting brackets and a standard truss clamp or other clamping device. The mounting brackets supplied are mounted using quick-release locks allowing simple mounting or removal.



UPRIGHT



HANGING

IMPORTANT SAFETY NOTE!!

Always use a safety cable when installing this unit!!

Be sure that the safety cable is connected to a solid load-bearing structure.

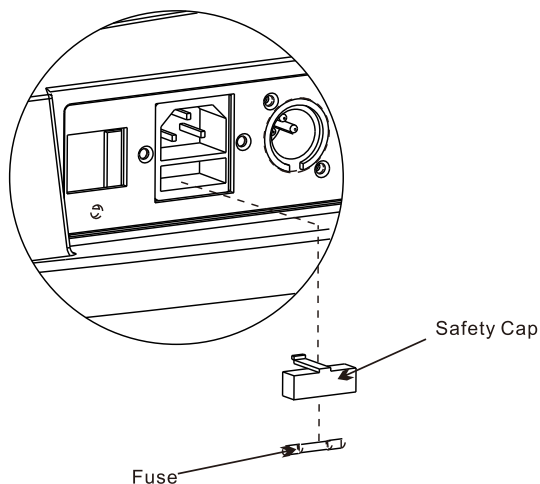
2.2 SETTING UP(STAND ALONE)

The LED fixture can be used as a stand alone unit. The stand alone functions AUTO 1, AUTO 2 and CUSTOM can be activated without the need to connect to any controller or connecting to any other equipment. Simply, access the <operation> menu from the DISPLAY and select the target program to activate.

2.3 FUSE REPLACEMENT

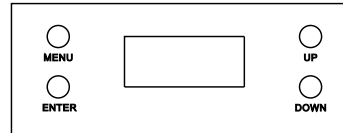
Remove the safety cap by a screwdriver.

- Fetch the old fuse from safety cap.
- Install a new fuse.
- Install the safety cap.



3 DISPLAY PANEL OPERATION

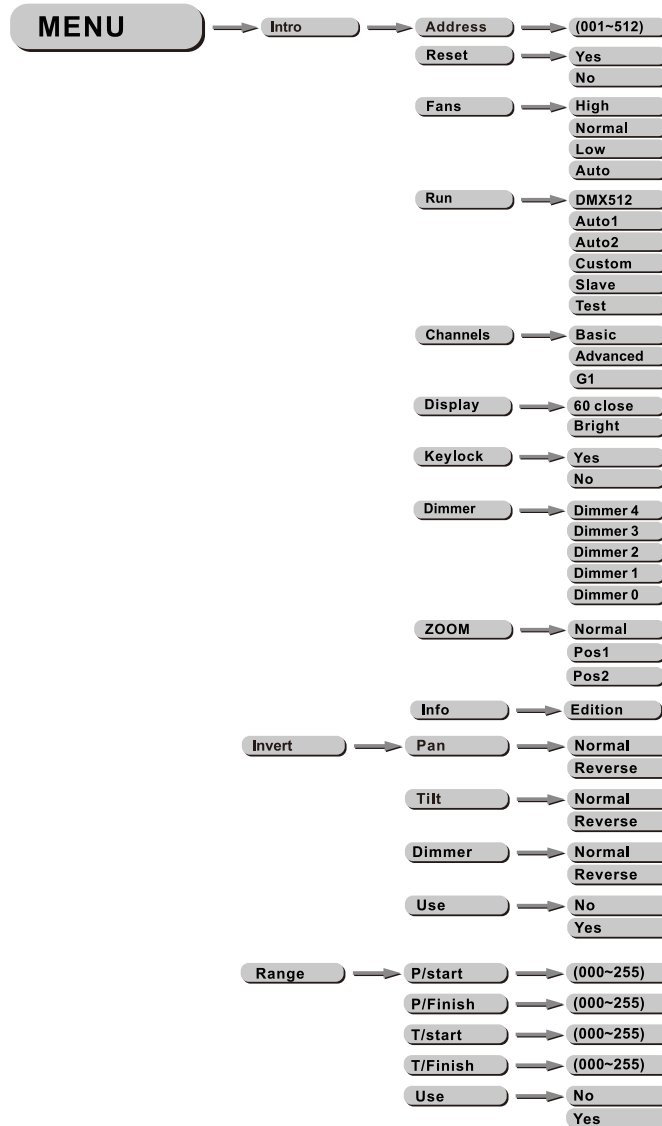
3.1 BASIC

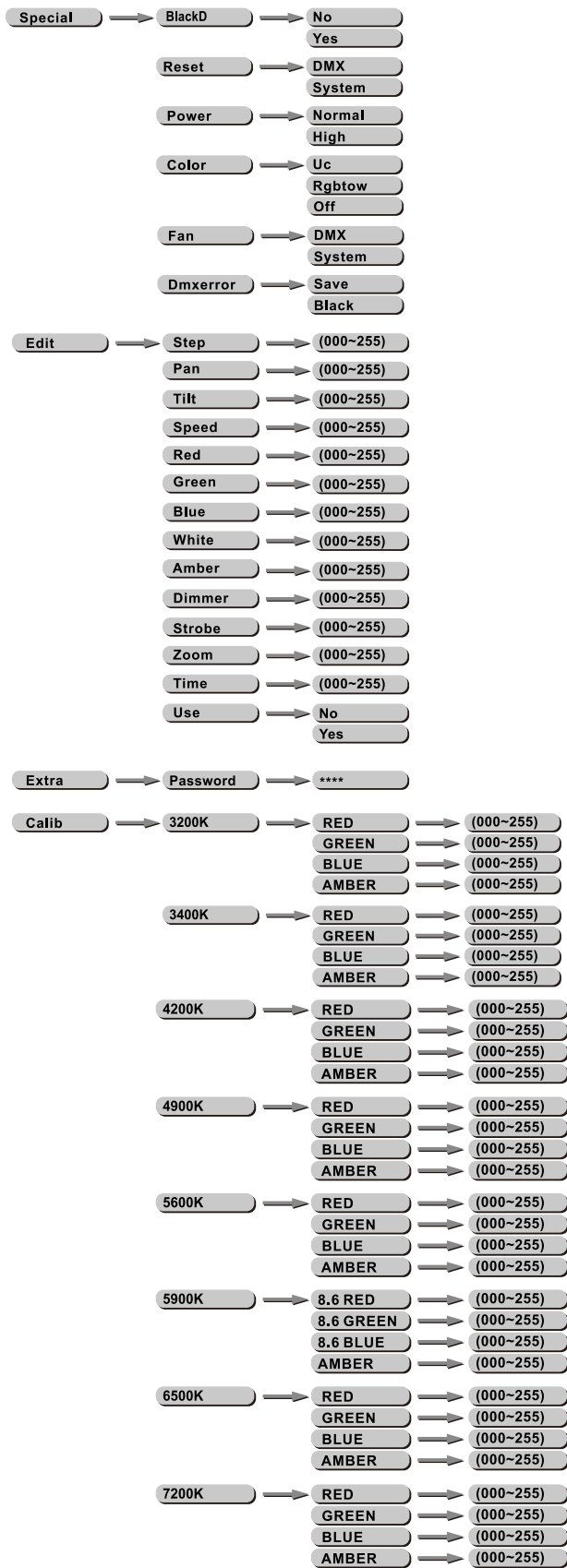


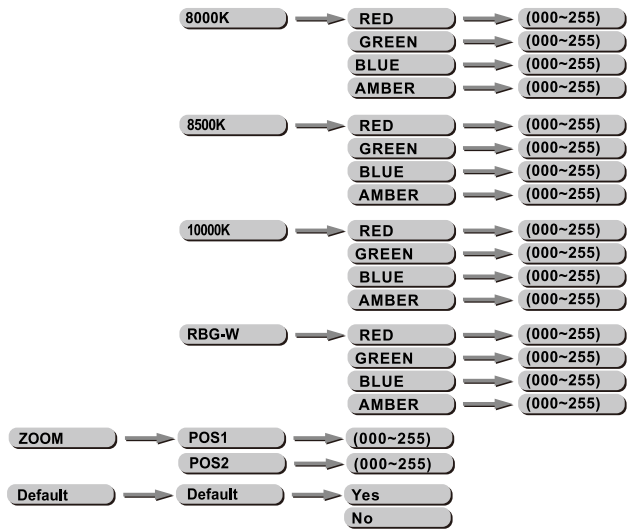
- 【 **MENU** 】 Scroll through the main menu or exit from the current sub-menu
- 【 **ENTER** 】 Enter the currently selected menu or confirm the current function value
- 【 **DOWN** 】 Scroll 'DOWN' through the menu list or decrease the value of the current function
- 【 **UP** 】 Scroll 'UP' through the menu list or increase the value of the Current function

3.2 MENU

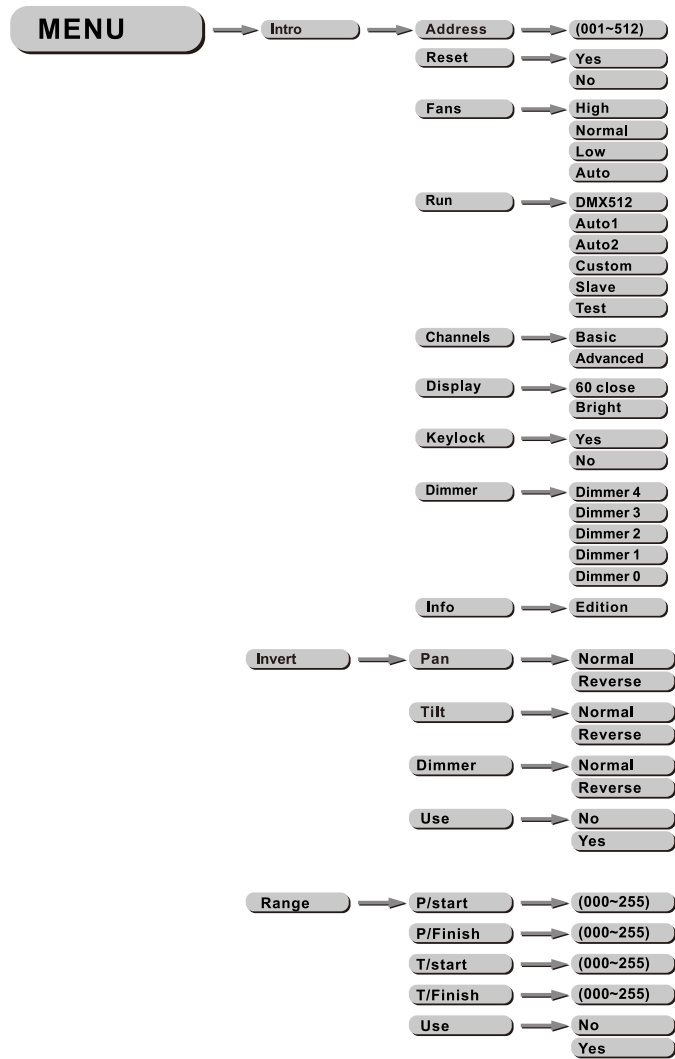
APPLY:(Tye- I)

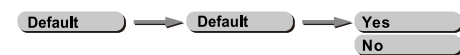
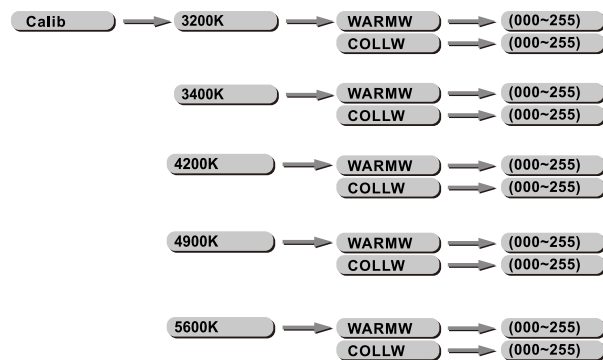
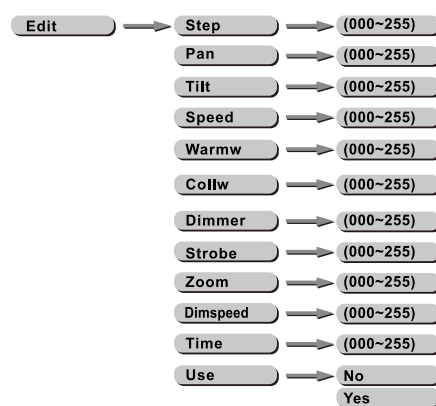
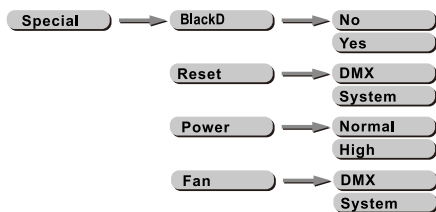






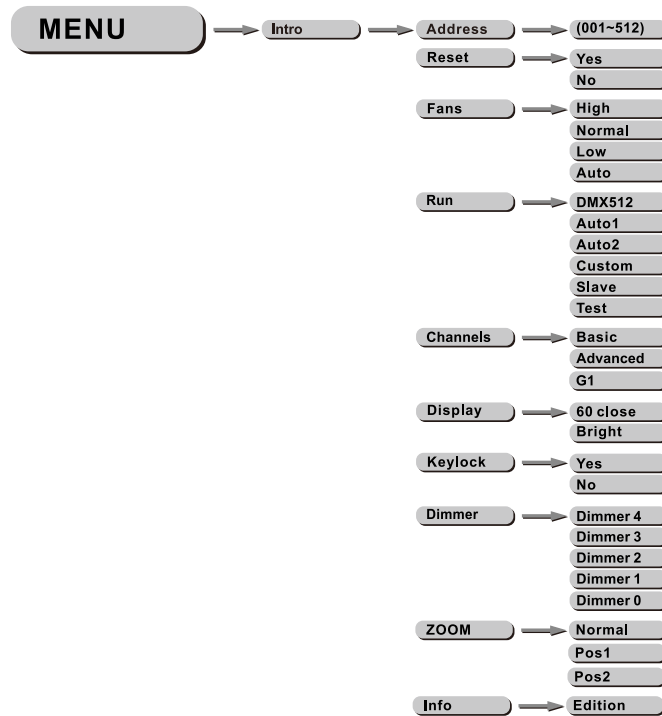
APPLY:(Tye-II)





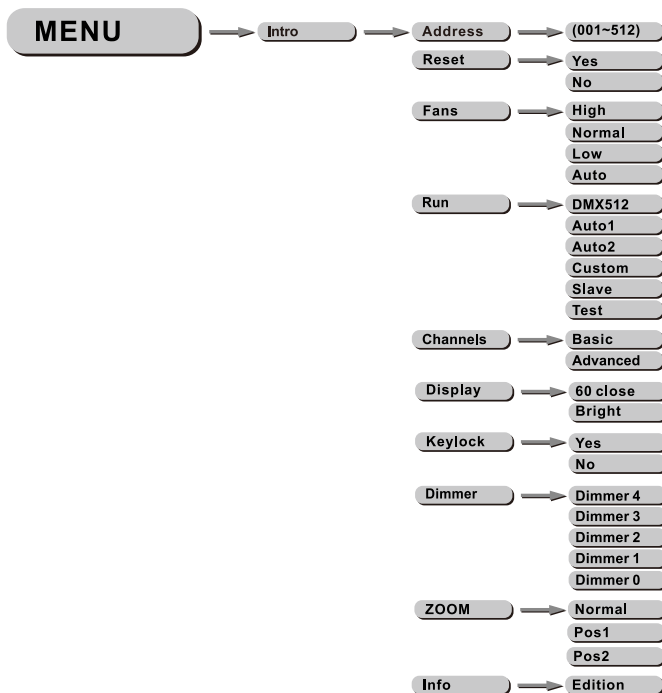
3.3 INTRO

APPLY:(Tye- I)



- [Address] Enter **【Address】** to set the DMX Address, which is from (001-512)
- [Reset] In order to rest custom modest to default, select **【Reset】**
- [Fans] Enter **【Fans】** to select the working mode of fan: **【High】** is for fast; **【Normal】** is for normal; **【Low】** is for slow ; **【Auto】** is for Auto
- [Run] Enter **【Run】** to select the operation mode: **【DMAX512】** ; **【Auto1】** ; **【Auto2】** ; **【Custom】** ; **【Slave】** ; **【Test】**
- [Channels] Enter **【Channels】** to select the DMX channel modes: **【Basic】** ; **【Advanced】** : **【G1】** .
- [Display] Enter **【Display】** to select the lighting time of the LCD display panel.
- [Keylock] Enter the **【Keylock】** mode to select whether the access password is on or off.
- [Dimmer] Enter **【Dimmer】** to select dimmer mode and dimmer speed. When DIMMER is set to **【Off】** , then RGBW and MASTER DIMMER are linear. The Dim 1/2/3/4 are speed modes of the non linear dimmer , **【Dim1】** is the faster, while **Dim4】** is the slowest. The factory default setting is **【Dim4】** .
- Select the **【ZOOM】** range. **【POS1】** & **【POS2】** set the small position for the zoom function. Note that when using DMX to control the fixture, the user will only be able to access upto the set ZOOM position. It is not possible to adjust beyond the set position.
- Enter **【Info】** to see the version of the software.

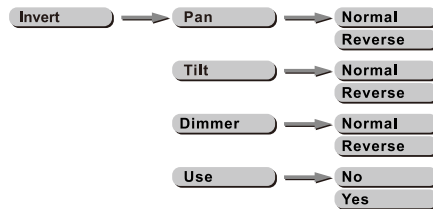
APPLY:(Tye- II)



- [Address] Enter **【Address】** to set the DMX Address, which is from (001-512)
- [Reset] In order to rest custom modest to default, select **【Reset】**
- [Fans] Enter **【Fans】** to select the working mode of fan: **【High】** is for fast; **【Normal】** is for normal; **【Low】** is for slow ; **【Auto】** is for Auto
- [Run] Enter **【Run】** to select the operation mode: **【DMAX512】** ; **【Auto1】** ; **【Auto2】** ; **【Custom】** ; **【Slave】** ; **【Test】**
- [Channels] Enter **【Channels】** to select the DMX channel modes: **【Basic】** ; **【Advanced】** .
- [Display] Enter **【Display】** to select the lighting time of the LCD display panel.
- [Keylock] Enter the **【Keylock】** mode to select whether the access password is on or off.
- [Dimmer] Enter **【Dimmer】** to select dimmer mode and dimmer speed. When DIMMER is set to **【Off】** , then RGBW and MASTER DIMMER are linear. The Dim 1/2/3/4 are speed modes of the non linear dimmer , **【Dim1】** is the faster, while **Dim4】** is the slowest. The factory default setting is **【Dim4】** .
- Select the **【ZOOM】** range. **【POS1】** & **【POS2】** set the small position for the zoom function. Note that when using DMX to control the fixture, the user will only be able to access upto the set ZOOM position. It is not possible to adjust beyond the set position.
- Enter **【Info】** to see the version of the software.

3.4 INVERT

APPLY:(Tye- I / II)

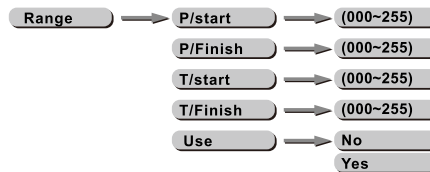


【 *Invert* 】

- Select 【 *Pan* 】 / 【 *Tilt* 】 / 【 *Dimmer* 】 to set 【 *Normal* 】 or 【 *Reverse* 】
- Enter 【 *Use* 】 and set 【 *Yes* 】 to run the new setting

3.5 RANGE

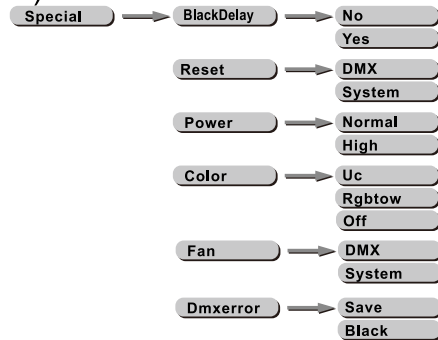
APPLY:(Tye- I / II)



- 【 *P/start* 】 Set pan start value 【 *000~255* 】
- 【 *P/Finish* 】 Set pan finish value 【 *000~255* 】
- 【 *T/start* 】 Set Tilt start value 【 *000~255* 】
- 【 *T/Finish* 】 Set Tilt finish value 【 *000~255* 】
- 【 *Use* 】 Enter 【 *Use* 】 and select 【 *Yes* 】 to open the operation of X/Y angle

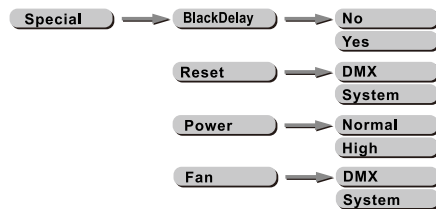
3.6 SPECIAL

APPLY:(Tye- I)



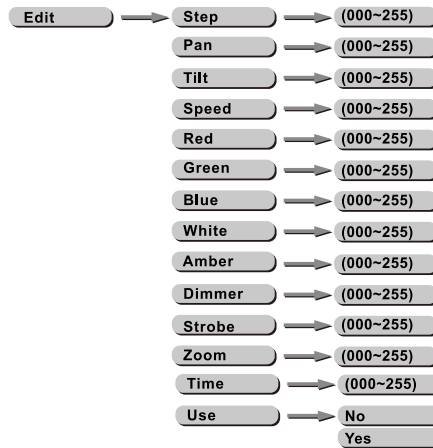
- [BlackDelay] Enter **BlackDelay** to choose **No** without delay or **Yes** 3seconds delay
- [Reset] Enter **Reset** to choose **DMX** DMX control reset or **System** DMX cannot control reset
- [Power] Enter **Power** to choose the power as NORMAL or HIGH.
- [Color] **COLOR** is for activate/unactivate the color calibration functions.
- [Fan] Choose **DMX** DMX to control fan or **System** DMX cannot control fan
- [Dmxerror] Choose **Save** in order to save the last DMX data in case of DMX signal error .Choose **Black** in order to blackout in case of DMX signal error.

APPLY:(Tye- II)



- [BlackDelay] Enter **BlackDelay** to choose **No** without delay or **Yes** 3seconds delay
- [Reset] Enter **Reset** to choose **DMX** DMX control reset or **System** DMX cannot control reset
- [Power] Enter **Power** to choose the power as NORMAL or HIGH.
- [Fan] Choose **DMX** DMX to control fan or **System** DMX cannot control fan

3.7 EDIT APPLY:(Tye- I)



【 Edit 】

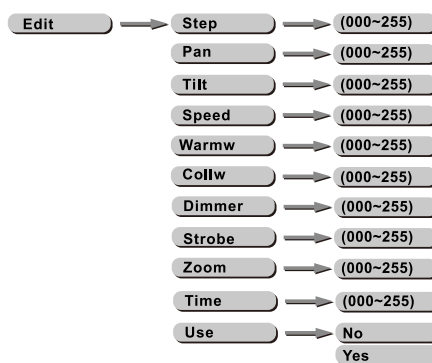
- Enter the 【 **Edit** 】 mode to edit the custom programs by adjusting the value of 【 **Step** 】 , 【 **Pan** 】 , 【 **Tilt** 】 , 【 **Speed** 】 , 【 **Color** 】 , 【 **Dimmer** 】 , 【 **Strobe** 】 , 【 **Zoom** 】 【 **Time** 】
- Enter 【 **Use** 】 and select 【 **Yes** 】 to run the steps user need.

Note: if user want to circulate the created steps, please set the last step ‘s 【 **Time** 】 as 0

For example, there are 3 steps, the setting should be like belowed:

Step 1 【 **Time** 】 = 4 【 **Use** 】 = Yes
 Step 2 【 **Time** 】 = 5 【 **Use** 】 = Yes
 Step 3 【 **Time** 】 = 0 【 **Use** 】 = Yes

APPLY:(Tye- II)



【 Edit 】

- Enter the 【 Edit 】 mode to edit the custom programs by adjusting the value of 【 Step 】 , 【 Pan 】 , 【 Tilt 】 , 【 Speed 】 , 【 Color 】 , 【 Dimmer 】 , 【 Strobe 】 , 【 Zoom 】 【 Time 】
- Enter 【 Use 】 and select 【 Yes 】 to run the steps user need.

Note: if user want to circulate the created steps, please set the last step 's 【 Time 】 as 0

For example, there are 3 steps, the setting should be like belowed:

Step 1 【 Time 】 = 4 【 Use 】 = Yes
Step 2 【 Time 】 = 5 【 Use 】 = Yes
Step 3 【 Time 】 = 0 【 Use 】 = Yes

3.8 EXTRA

APPLY:(Tye- I / II)

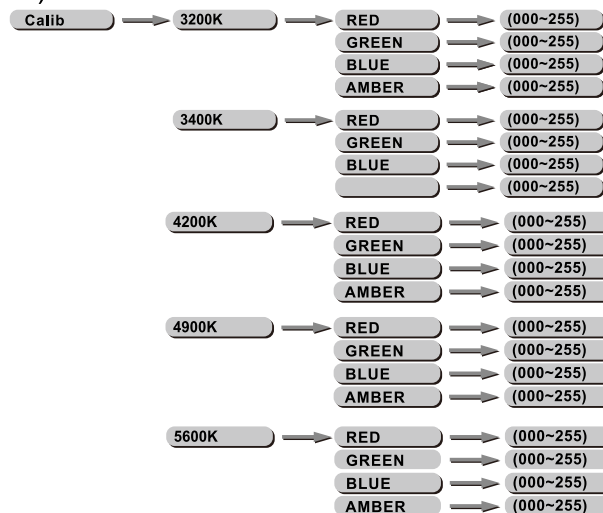


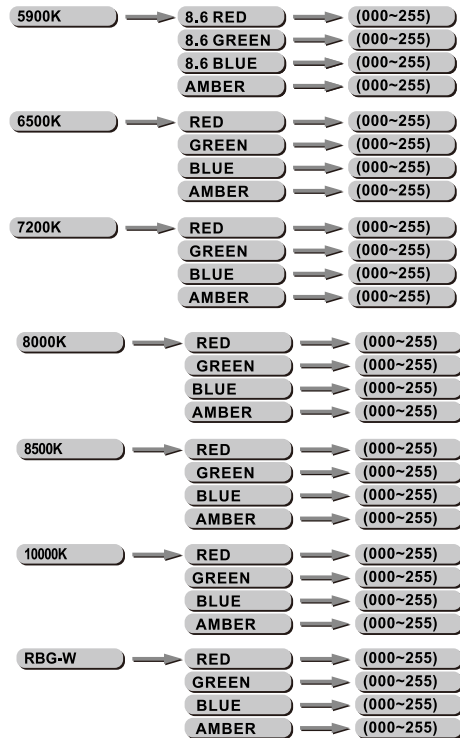
- When the user enter 【 password 】 and input the correct password, the hidden menu 【 Cablid 】 , 【 default 】 will appear on display panel, and the user is able to reset the 【 Default 】 values of all functions.

The default access code is UP + DOWN + UP + DOWN..

3.9 CALIB

APPLY:(Tye- I)



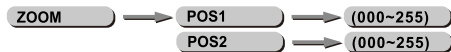


【 Calib】

- Enter the **【 Calib】** to select white color of different color temperature.
- There are 12 pre-programmed White colors plus RGB TO WHITE and can be edited by using **【Red】** , **【Green】** , **【Blue】** & **【AMBER】** .

3.10 ZOOM

APPLY:(Tye- I)



- Calibrate the position of POS1&POS2. Set position as 0 for smallest zoom position.

3.11 DEFAULT

APPLY:(Tye- I / II)



【 Default】

- This functions will reset all setting to the original factory setting

4 USING A DMX512 CONTROLLER

4.11 CHANNEL ASSIGNMENT①

APPLY:(Tye- I)

- Note: This product have three DMX512 channel configuration: **【ADVANCED】** / **【BASIC】** and **【G1】** .

ADVANCED

CHANNEL	VALUE	FUNCTION
1	000~255	PAN Clockwise rotate 0~540°
2	000~255	PAN FINE Fine control of pan movement 0~3°
3	000~255	TILT Anti-clockwise rotate 0~270°
4	000~255	TILT FINE Fine control of tilt movement 0~3°
5	000~255	PAN/TILT SPEED From fast to slow
6	000~255	RED
7	000~255	GREEN
8	000~255	BLUE
9	000~255	WHITE
10	000~255	AMBER
11	000~005 006~010 011~030 031~050 051~070 071~090 091~110 111~130 131~150 151~170 171~200 201~205 206~210 211~215 216~220 221~225 226~230 231~235 236~240 241~245 246~250 251~255	COLOR/WHITE MACRO NO FUCNTION FULL POWER RED 100% / GREEN UP / BLUE 0% RED DOWN / GREEN 100% / BLUE 0% RED 0% / GREEN 100% / BLUE UP RED 0% / GREEN DOWN / BLUE 100% RED UP / GREEN 0% / BLUE 100% RED 100% / GREEN 0% / BLUE DOWN RED 100% / GREEN UP / BLUE UP RED DOWN / GREEN DOWN / BLUE 100% RED 100% / GREEN 100% / BLUE 100% / WHITE 100% WHITE1: 3200K WHITE2: 3400K WHITE3: 4200K WHITE4: 4900K WHITE5: 5600K WHITE6: 5900K WHITE7: 6500K WHITE8: 7200K WHITE9: 8000K WHITE10: 8500K WHITE11: 10000K

CHANNEL	VALUE	FUNCTION
12	000~255	DIMMER
13	000~009 010~255	STROBE NO function 1~20Hz
14	000~255	ZOOM
15	000~019 020~039 040~059 060~079 080~099 100~119 120~139 140~149 150~159 160~169 170~179 180~199 200~219 220~235 236~239 240~243 244~247 248~251 252~255	CONTROL NO FUNCTION PAN/TILT BLACK ACTIVATED PAN/TILT BLACK DEACTIVATED FAN AUTO FAN SLOW FAN NORMAL FAN FAST AUTO1 (ACTIVATED AFTER 3 SECS) AUTO2 (ACTIVATED AFTER 3 SECS) TEST (ACTIVATED AFTER 3 SECS) CUSTOM (ACTIVATED AFTER 3 SECS) SOUND1 RESET (ACTIVATED AFTER 3 SECS) NO FUNCTION DIM0 DIM1 DIM2 DIM3 DIM4

BASIC

CHANNEL	VALUE	FUNCTION
1	000~255	PAN Clockwise rotate 0~540°
2	000~255	TILT Anti-clockwise rotate 0~255°
3	000~255	RED
4	000~255	GREEN
5	000~255	BLUE
6	000~255	WHITE
7	000~255	AMBER
8	000~005 006~010 011~030 031~050 051~070 071~090 091~110 111~130 131~150 151~170 171~200 201~205 206~210 211~215 216~220 221~225 226~230 231~235 236~240 241~245 246~250 251~255	COLOR/WHITE MACRO NO FUCNTION FULL POWER RED 100% / GREEN UP / BLUE 0% RED DOWN / GREEN 100% / BLUE 0% RED 0% / GREEN 100% / BLUE UP RED 0% / GREEN DOWN / BLUE 100% RED UP / GREEN 0% / BLUE 100% RED 100% / GREEN 0% / BLUE DOWN RED 100% / GREEN UP / BLUE UP RED DOWN / GREEN DOWN / BLUE 100% RED 100% / GREEN 100% / BLUE 100% / WHITE 100% WHITE1: 3200K WHITE2: 3400K WHITE3: 4200K WHITE4: 4900K WHITE5: 5600K WHITE6: 5900K WHITE7: 6500K WHITE8: 7200K WHITE9: 8000K WHITE10: 8500K WHITE11: 10000K

CHANNEL	VALUE	FUNCTION
9	000~255	DIMMER
10	000~009 010~255	STROBE NO FUNCTION 1~20HZ
11	000~255	ZOOM
12	0~19 20~39 40~59 60~79 80~99 100~119 120~139 140~149 150~159 160~169 170~179 180~189 190~199 200~219 220~235 236~239 240~243 244~247 248~251 252~255	CONTROL NO FUNCTION PAN/TILT BLACK ACTIVATED PAN/TILT BLACK DEACTIVATED FAN AUTO FAN SLOW FAN NORMAL FAN FAST AUTO1 (ACTIVATED AFTER 3 SECS) AUTO2 (ACTIVATED AFTER 3 SECS) TEST (ACTIVATED AFTER 3 SECS) CUSTOM (ACTIVATED AFTER 3 SECS) SOUND1 SOUND1 RESET (ACTIVATED AFTER 3 SECS) NO FUNCTION DIM0 DIM1 DIM2 DIM3 DIM4

G1

CHANNEL	VALUE	FUNCTION
1	000~255	PAN Clockwise rotate 0~540°
2	000~255	PAN FINE Fine control of pan movement 0~3°
3	000~255	TILT Anti-clockwise rotate 0~270°
4	000~255	TILT FINE Fine control of tilt movement 0~3°
5	000~255	PAN/TILT SPEED From fast to slow
6	000~255	RED
7	000~255	GREEN
8	000~255	BLUE

CHANNEL	VALUE	FUNCTION
9	000~255	WHITE
10	000~005 006~010 011~030 031~050 051~070 071~090 091~110 111~130 131~150 151~170 171~200 201~205 206~210 211~215 216~220 221~225 226~230 231~235 236~240 241~245 246~250 251~255	COLOR/WHITE MACRO NO FUNCTION FULL POWER RED 100% / GREEN UP / BLUE 0% RED DOWN / GREEN 100% / BLUE 0% RED 0% / GREEN 100% / BLUE UP RED 0% / GREEN DOWN / BLUE 100% RED UP / GREEN 0% / BLUE 100% RED 100% / GREEN 0% / BLUE DOWN RED 100% / GREEN UP / BLUE UP RED DOWN / GREEN DOWN / BLUE 100% RED 100% / GREEN 100% / BLUE 100% / WHITE 100% WHITE1: 3200K WHITE2: 3400K WHITE3: 4200K WHITE4: 4900K WHITE5: 5600K WHITE6: 5900K WHITE7: 6500K WHITE8: 7200K WHITE9: 8000K WHITE10: 8500K WHITE11: 10000K
11	000~255	DIMMER
12	000~009 010~255	STROBE NO function 1~20Hz
13	000~255	ZOOM
14	000~009 010~029 030~069 070~129 130~189 190~255	DIMMER SPEED PRESET DIMMER SPEED FROM DISPLAY MENU LINEAR DIMMER NON LINEAR DIMMER 1 (fastest) NON LINEAR DIMMER 2 NON LINEAR DIMMER 3 NON LINEAR DIMMER 4 (slowest)
15	000~019 020~039 040~059 060~079 080~099 100~119 120~139 140~149 150~159 160~169 170~179 180~199 200~219 220~255	CONTROL NO FUNCTION PAN/TILT BLACK ACTIVATED PAN/TILT BLACK DEACTIVATED FAN AUTO FAN SLOW FAN NORMAL FAN FAST AUTO1 (ACTIVATED AFTER 3 SECS) AUTO2 (ACTIVATED AFTER 3 SECS) TEST (ACTIVATED AFTER 3 SECS) CUSTOM (ACTIVATED AFTER 3 SECS) NO FUNCTION RESET (ACTIVATED AFTER 3 SECS) NO FUNCTION

4 USING A DMX512 CONTROLLER

4.12 CHANNEL ASSIGNMENT②

APPLY:(Tye- II)

● Note: This product have three DMX512 channel configuration:
【ADVANCED】 and **【BASIC】** .

ADVANCED

CHANNEL	VALUE	FUNCTION
1	000~255	PAN Clockwise rotate 0~540°
2	000~255	PAN FINE Fine control of pan movement 0~3°
3	000~255	TILT Anti-clockwise rotate 0~270°
4	000~255	TILT FINE Fine control of tilt movement 0~3°
5	000~255	PAN/TILT SPEED From fast to slow
6	000~255	Warmw
7	000~255	Collw
8	000~005	COLOR/WHITE MACRO NO FUCNTION
	006~010	FULL POWER
	011~030	RED 100% / GREEN UP / BLUE 0%
	031~050	RED DOWN / GREEN 100% / BLUE 0%
	051~070	RED 0% / GREEN 100% / BLUE UP
	071~090	RED 0% / GREEN DOWN / BLUE 100%
	091~110	RED UP / GREEN 0% / BLUE 100%
	111~130	RED 100% / GREEN 0% / BLUE DOWN
	131~150	RED 100% / GREEN UP / BLUE UP
	151~170	RED DOWN / GREEN DOWN / BLUE 100%
	171~200	RED 100% / GREEN 100% / BLUE 100% / WHITE 100%
	201~205	WHITE1: 3200K
	206~210	WHITE2: 3400K
	211~215	WHITE3: 4200K
216~220	WHITE4: 4900K	
221~225	WHITE5: 5600K	
226~230	WHITE6: 5900K	
231~235	WHITE7: 6500K	
236~240	WHITE8: 7200K	
241~245	WHITE9: 8000K	
246~250	WHITE10: 8500K	
251~255	WHITE11: 10000K	
9	000~255	DIMMER
10	000~009	STROBE NO function
	010~255	1~20Hz

CHANNEL	VALUE	FUNCTION
11	000~255	ZOOM
12	000~019	CONTROL NO FUNCTION
	020~039	PAN/TILT BLACK ACTIVATED
	040~059	PAN/TILT BLACK DEACTIVATED
	060~079	FAN AUTO
	080~099	FAN SLOW
	100~119	FAN NORMAL
	120~139	FAN FAST
	140~149	AUTO1 (ACTIVATED AFTER 3 SECS)
	150~159	AUTO2 (ACTIVATED AFTER 3 SECS)
	160~169	TEST (ACTIVATED AFTER 3 SECS)
	170~179	CUSTOM (ACTIVATED AFTER 3 SECS)
	180~199	SOUND1
	200~219	RESET (ACTIVATED AFTER 3 SECS)
	220~235	NO FUNCTION
	236~239	DIM0
	240~243	DIM1
	244~247	DIM2
	248~251	DIM3
	252~255	DIM4

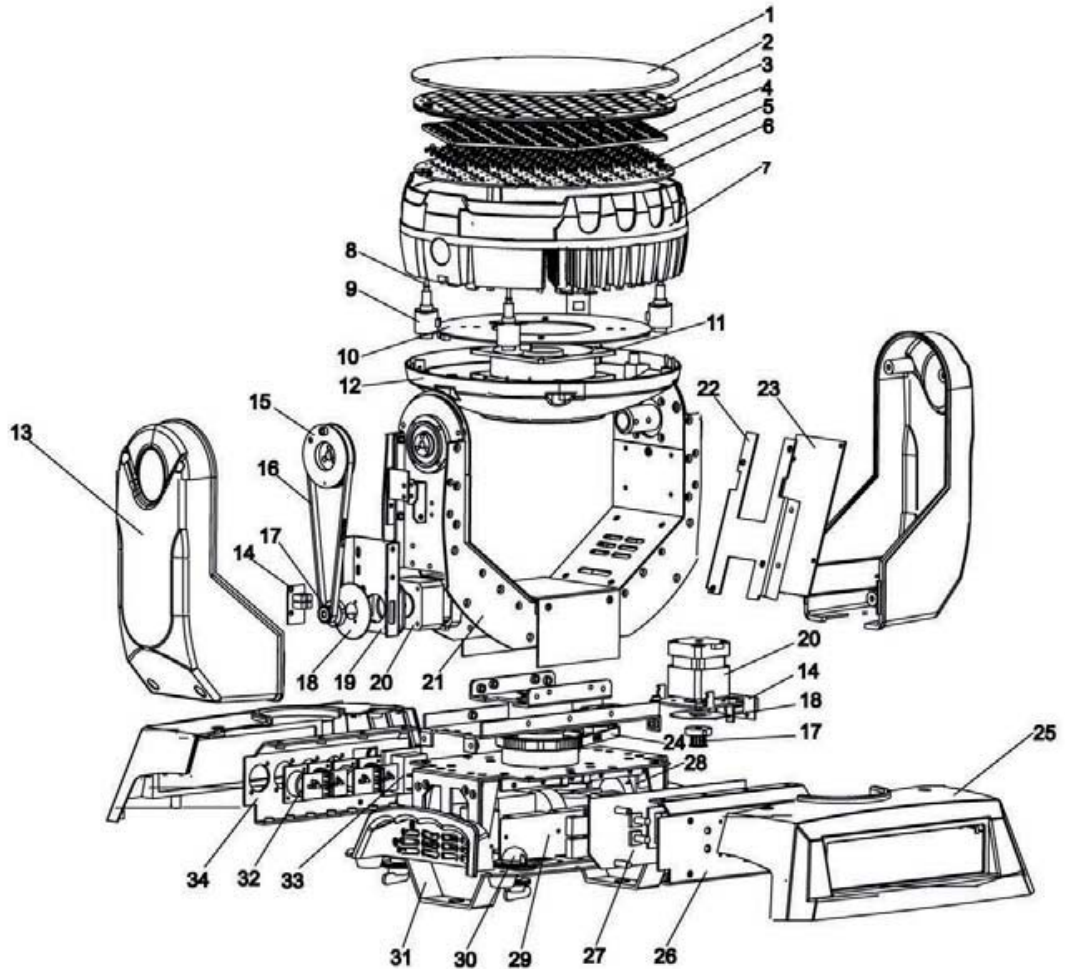
BASIC

CHANNEL	VALUE	FUNCTION
1	000~255	PAN Clockwise rotate 0~540°
2	000~255	TILT Anti-clockwise rotate 0~255°
3	000~255	Warmw
4	000~255	Collw
5	000~005 006~010 011~030 031~050 051~070 071~090 091~110 111~130 131~150 151~170 171~200 201~205 206~210 211~215 216~220 221~225 226~230 231~235 236~240 241~245 246~250 251~255	COLOR/WHITE MACRO NO FUCNTION FULL POWER RED 100% / GREEN UP / BLUE 0% RED DOWN / GREEN 100% / BLUE 0% RED 0% / GREEN 100% / BLUE UP RED 0% / GREEN DOWN / BLUE 100% RED UP / GREEN 0% / BLUE 100% RED 100% / GREEN 0% / BLUE DOWN RED 100% / GREEN UP / BLUE UP RED DOWN / GREEN DOWN / BLUE 100% RED 100% / GREEN 100% / BLUE 100% / WHITE 100% WHITE1: 3200K WHITE2: 3400K WHITE3: 4200K WHITE4: 4900K WHITE5: 5600K WHITE6: 5900K WHITE7: 6500K WHITE8: 7200K WHITE9: 8000K WHITE10: 8500K WHITE11: 10000K
6	000~255	DIMMER
7	000~009 010~255	STROBE NO FUNCTION 1~20HZ

CHANNEL	VALUE	FUNCTION
8	000~255	ZOOM
9	0-19	CONTROL NO FUNCTION
	20-39	PAN/TILT BLACK ACTIVATED
	40-59	PAN/TILT BLACK DEACTIVATED
	60-79	FAN AUTO
	80-99	FAN SLOW
	100-119	FAN NORMAL
	120-139	FAN FAST
	140-149	AUTO1 (ACTIVATED AFTER 3 SECS)
	150-159	AUTO2 (ACTIVATED AFTER 3 SECS)
	160-169	TEST (ACTIVATED AFTER 3 SECS)
	170-179	CUSTOM (ACTIVATED AFTER 3 SECS)
	180-189	SOUND1
	190-199	SOUND1
	200-219	RESET (ACTIVATED AFTER 3 SECS)
	220-235	NO FUNCTION
	236-239	DIM0
	240-243	DIM1
	244-247	DIM2
248-251	DIM3	
252-255	DIM4	

5 APPENDIX

5.1 MAINTENANCE



No	ITEM
1	Anti-dust plate
2	Anti-vibrate seal
3	Zoom lens
4	Capture lens plate
5	Capture lens
6	LED PCB
7	Head structure
8	Adjust pole
9	Motor
10	Driver PCB
11	Fan
12	Head cover

No	ITEM
13	Arm cover
14	Arm board
15	Y-large gear
16	Tilt belt
17	Large gear
18	Optical wheel
19	Y-motor support
20	Motor
21	U-frame
22	Driver support
23	XY Driver PCB
24	Pan belt

No	ITEM
25	Base cover
26	Display support
27	Display PCB
28	Fan
29	Power supply
30	Quick-lock female
31	Hanging bracket
32	Connection board
33	IEC power socket
34	XLR socket support